



The Omegon® Smartphone holder for finderscope adapter

Congratulations on the purchase of the new Omegon® Smartphone holder for finderscope base. This adapter was designed to carry any Smartphone up to 93mm in width. It also fits any Vixen-style finderscope bases. It is made of not ferrous-metal materials. This means zero interference with the Smartphone's built-in compass making it more accurate when using apps that rely on the compass for precise localization. It is simple to use. Please following the image instructions to use this adapter.

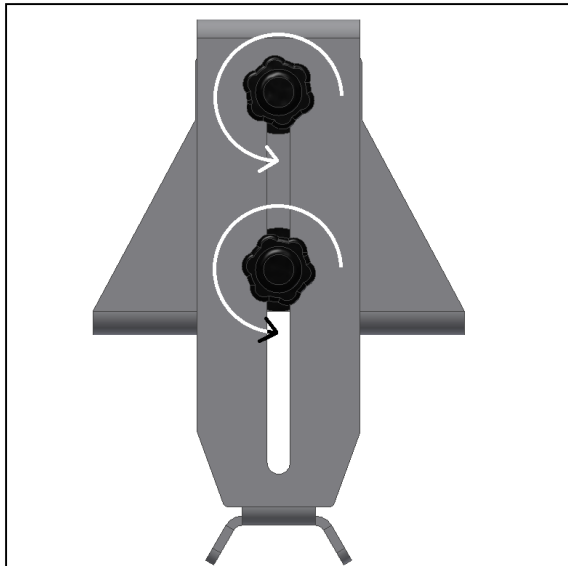


Figure 1. Release the knobs.

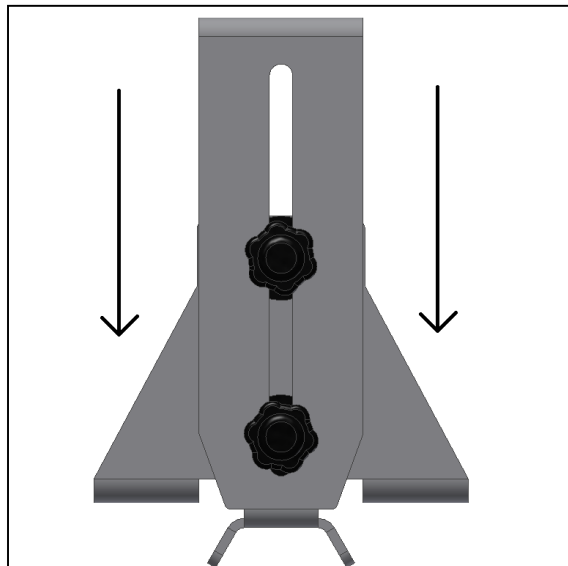


Figure 2. Slide the triangular holder.

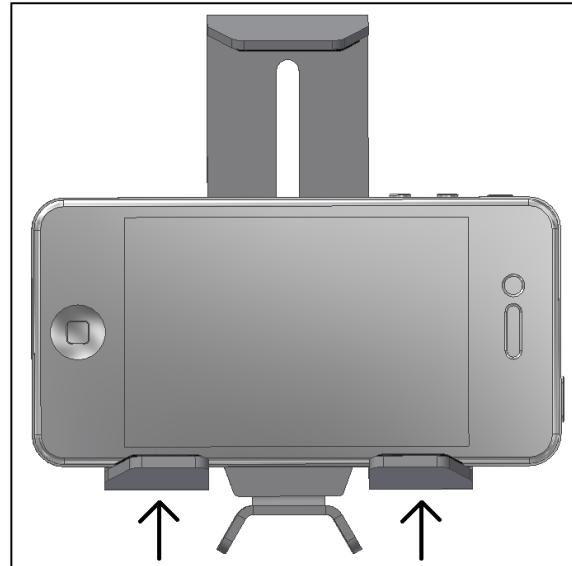


Figure 3. Place the device, pay attention to the device button's positions

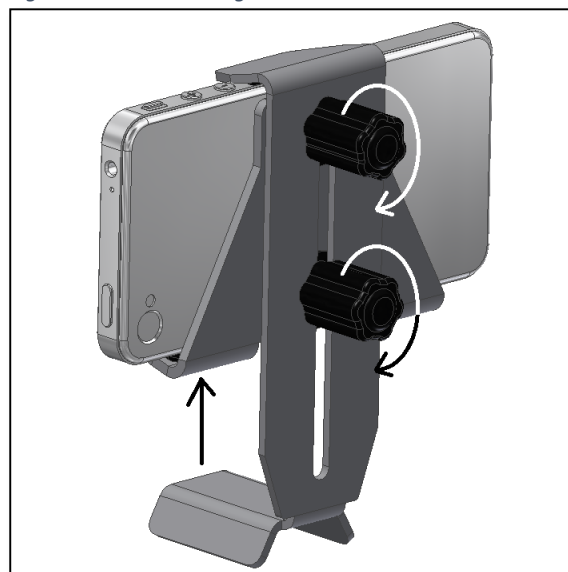


Figure 4. Push the triangular holder and at the same time retighten the knobs.



Figure 5. Slide the base into the Vixen-style finderscope base. Make sure to tighten the fixing thumbscrew.